

DESCRIPTION

2-Way Solenoid Valve – General Purpose
Normally Open – Servo-Piloted Diaphragm
Needs Differential Pressure to Operate
Connection 3/8" to 2" NPT

APPLICATION

Water – Air – Gas – Liquids – Low Viscosity Oils

- Misting
- Irrigation
- Air Dryers
- Water Treatment

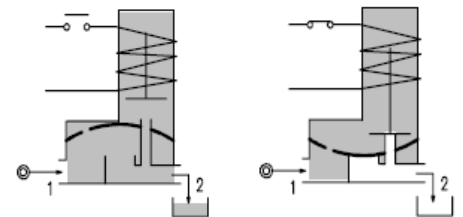
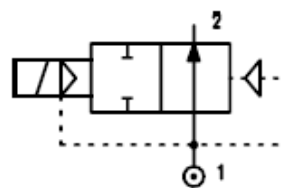
FEATURES

Minimum Differential Pressure 10 PSI
Nitrile Servo Operated Diaphragm
Maximum Allowable Pressure: 250 PSI
Maximum Fluid Viscosity 25cSt (mm²/s)
Ambient Temperature: with class F coil 14°F +131°F
with class H coil 14°F +176°F

NOTES

Mounting Position with Coil Vertically Up top
Oils: Max. Pressure 190 PSI

OPTIONALS Surface Treatment in Chemical Nickel



CODE	Connection NPT	Hole mm	KV m ³ /h	Differential Pressure PSI			Nominal Power			Coil		Sealing	Temp. Field F°
				Min	Max		Start-up	VA Regime	DC Watts	Type	Width		
					AC	DC							
S323C	3/8"	12	3.5	10	230	230	40	30	27	5	36	NBR=O FPM=K	14 +194 14 +284
S323D	1/2"	12	3.8	10	230	230	40	30	27	5	36		
S323E	3/4"	20	6.5	10	230	230	40	30	27	5	36		
S323F	1"	25	10.2	10	230	230	40	30	27	5	36		
S323G	1 1/4"	32	16	10	230	230	40	30	27	5	36		
S323H	1 1/2"	40	0	10	230	230	40	30	27	5	36		
S323I	2"	50	41	10	230	230	40	30	27	5	36		

Seat material	*Nitrile = O	FPM = K
Temperature Field	14 to 194°F	14 to 284°F
Applications	Water, air, light oils. Neutral gases. Kerosene. Low and medium vacuum.	Gasoline, naphtha, aromatics, benzene, etc. Hot gases. High vacuum. Diesel oil.

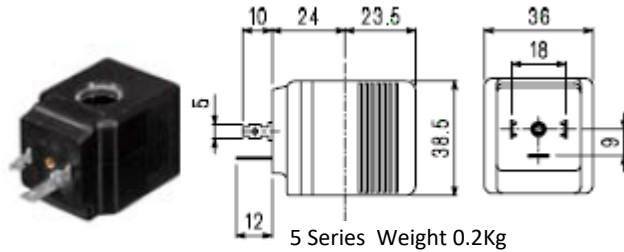
*Nitrile floating diaphragm.

Please contact your sales team for other seat materials.

COIL	Direct Current Voltage		Alternating Current 60/80Hz Voltage		Electrical Connector	Connector
	12	24	110	220		
Type 52 Width 36	B52H-COIL	B52W-COIL	B52Z-COIL	B52Y-COIL	DIN 43650A	PG11 code 10349060

DESCRIPTION
Insulation Class
Series 5=F
Voltage Tolerance
AC +15% - 10%
DC +/- 10%
IP65 with Mounted Connector
ED100%

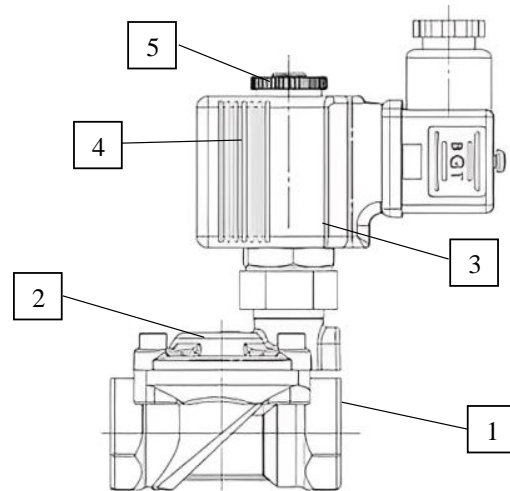
OPTIONAL
Insulation Class H
Special voltage/power



5 Series Weight 0.2Kg

PARTS LIST

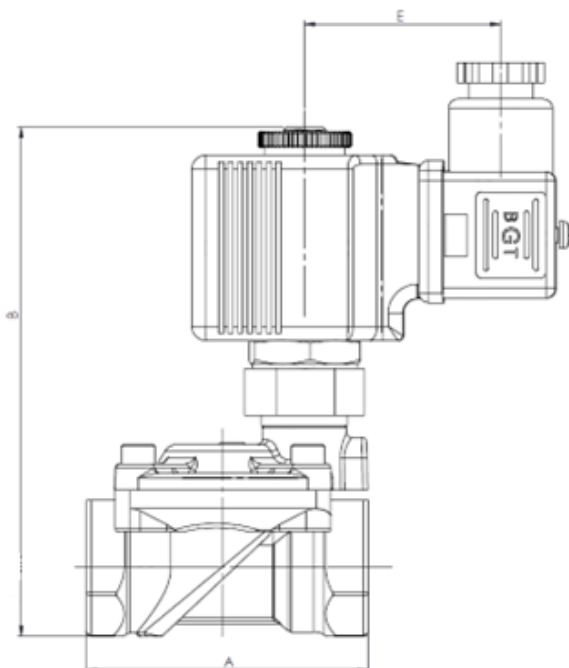
1. Valve Body
2. Valve Cover
3. Solenoid
4. Coil
5. Coil Fixing Thread



CONSTRUCTION

Body	Forged Brass
Guide Tube	Brass
Mobile and Fixed Core	Stainless Steel
Spring	Stainless Steel
Seal	NBR – FPM

DIMENSIONS



Connection	a	b	e	Type 52	Weight Kg
3/8" NPT	59	107	42	36	0.68
1/2" NPT	59	107	42	36	0.63
3/4" NPT	75	118	42	36	1.02
1" NPT	96	125	42	36	1.50
1 1/4" NPT	131	150	42	36	3.10
1 1/2" NPT	131	150	42	36	2.90
2" NPT	165	165	42	36	4.10